

BUTLER

SPECIALTY COMPANY

Est. 1930

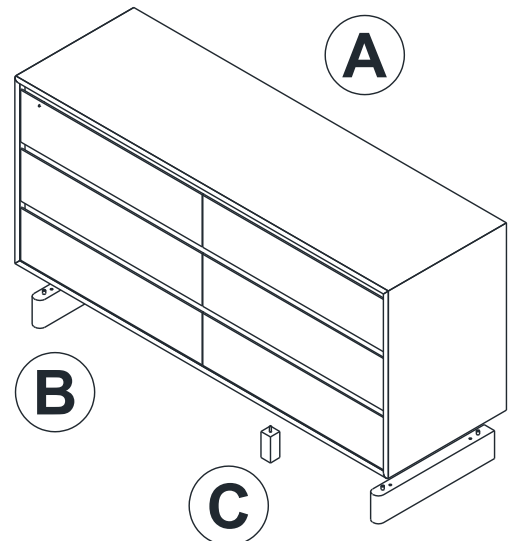
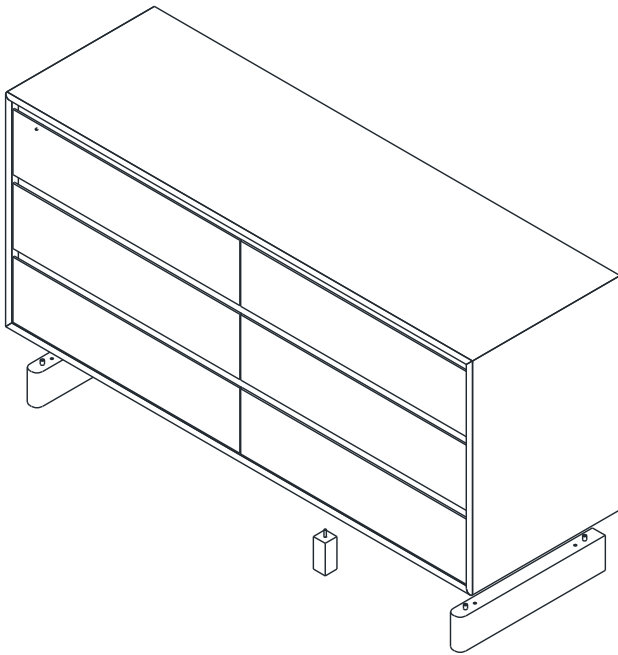
Assembly Instructions

5768188

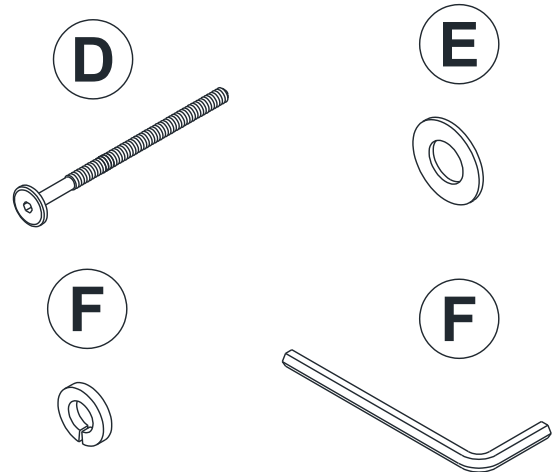
5768432

5766488

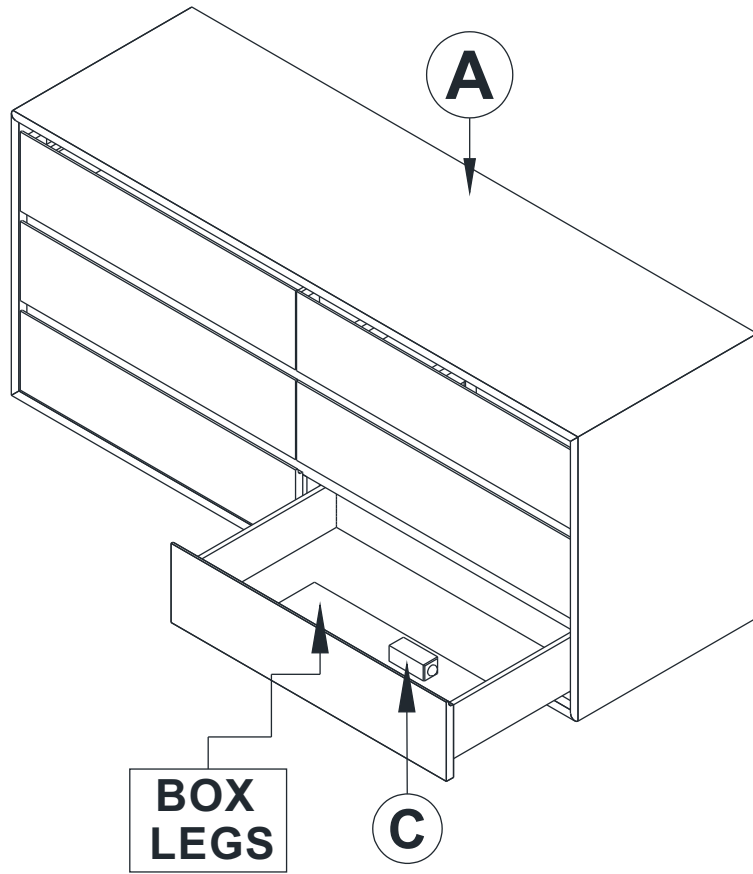
6 Drawer Chest



ITEM	DESCRIPTION	QUANTITY
A	6 Drawers Chest	1
B	Legs	2
C	Center Leg	1
D	Bolt M6 x 100 mm	4
E	Flat Washer 16 x 6 x 1	4
F	Lock Washer M6	4
G	Allen Key 4 mm	1

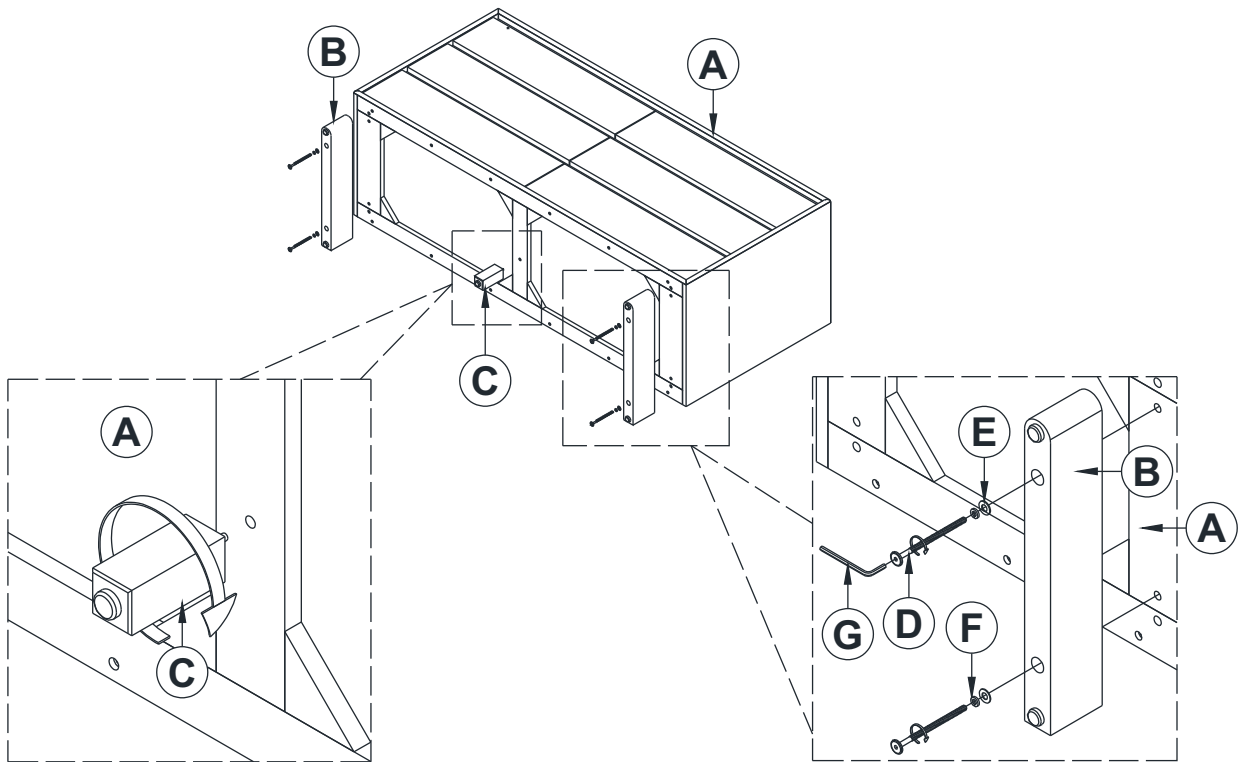


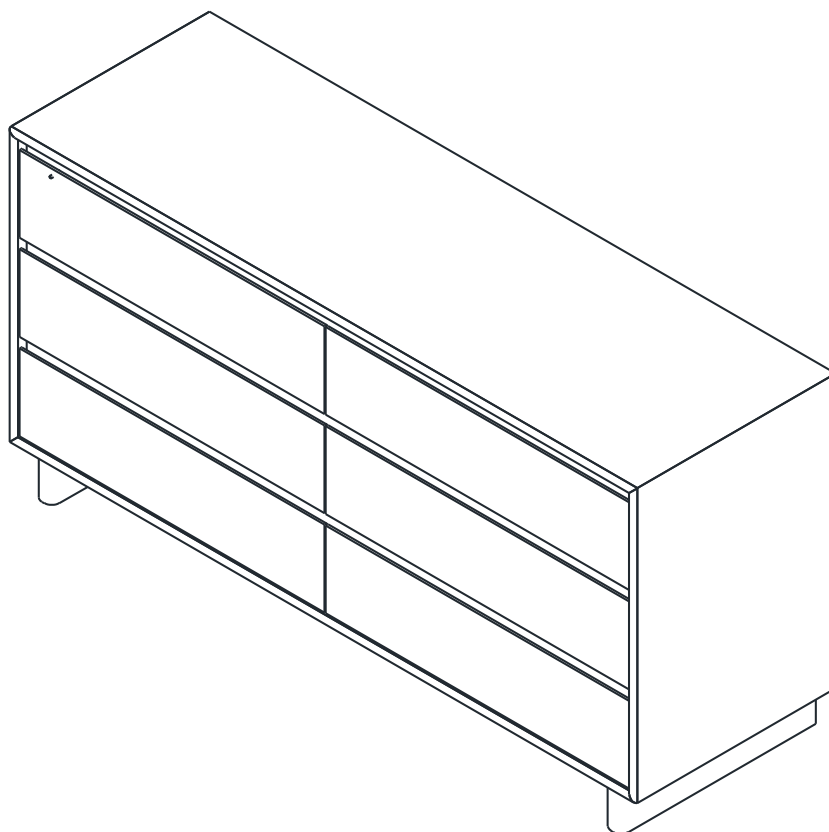
STEP 1



STEP 2

Attach Legs (B) to 6 Drawers Chest (A) using Bolt M6 x 100 mm (D), Lock Washer M6 (F), Flat Washer 16 x 6 x 1 (E), Allen Key 4 mm (G) and Attach Center Leg (C) to 6 Drawers Chest (A) clockwise to tighten as shown below.





Congratulations

Assembly complete, Your 6 Drawers Chest is ready to use.

(*) Caution : DO NOT OVERTIGHTEN

In any correspondence regarding this product, please include the complete Butler identification number located on the underside of the product.

We hope this product will be a useful and decorative addition to your home for years to come.

Copyright© Butler Specialty Company, 08 / 23

BUTLER

SPECIALTY COMPANY

EST. 1930

Assembly Instructions

5768188

5768432

5766488

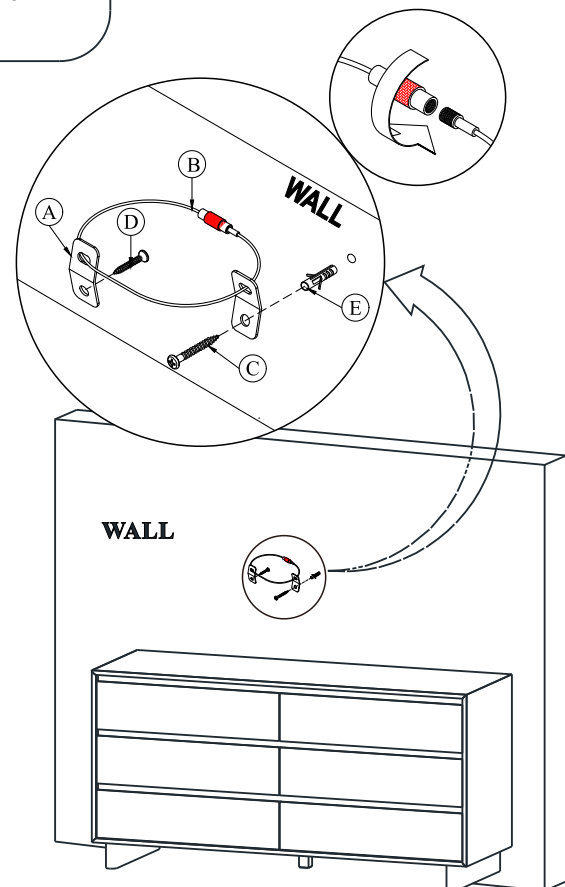
6 Drawer Chest

PACKAGED

- | | |
|------------------------|-----------------------------|
| (1) 1- 6 Drawers Chest | (C) 1- Long Screw |
| (A) 2- "L" Bracket | (D) 1- Short Screw |
| (B) 1- Cable Wire | (E) 1- Plastic Screw Anchor |

Read all instruction before starting assembly.

- Step #1** Make a hole at the wall. Fix the Plastic Screw Anchor (E), attach a "L" bracket (A) fix it and securely to the back of the wall using screw (C) through the smaller hole.
- Step #2** Determine where the 6 Drawers Chest is to be placed and mark location on the wall for the bracket screw hole approximately 1 1/2" below the bracket mounted to the edge. Position the "L" bracket (A) and use Long Screw (C) to securely attach the "L" bracket to the wall.
- Step #3** Place the 6 Drawers Chest into upright position so both mounting bracket are vertically in line. Lace the end of the Cable Wire (B) through the large hole in each "L" bracket (A). Confirm that Cable Wire (B) is securely laced and locked.



(* Caution : DO NOT OVERTIGHTEN

In any correspondence regarding this product, please include the complete Butler identification number located on the underside of the product.

We hope this product will be a useful and decorative addition to your home for years to come.

Copyright © Butler Specialty Company, 08 / 23